



1/4
REPLACEMENT SHEET

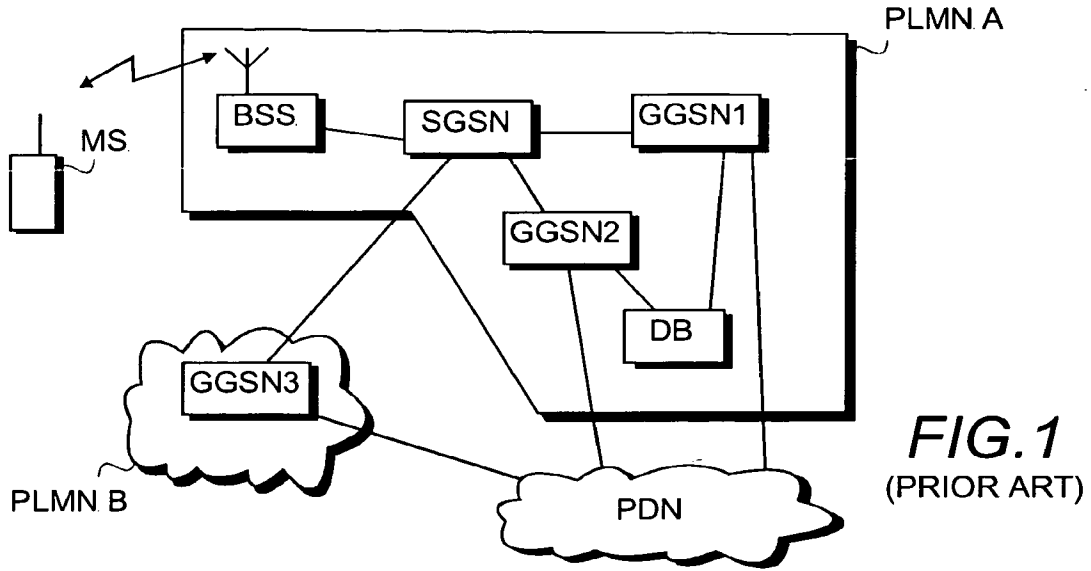


FIG.1
(PRIOR ART)

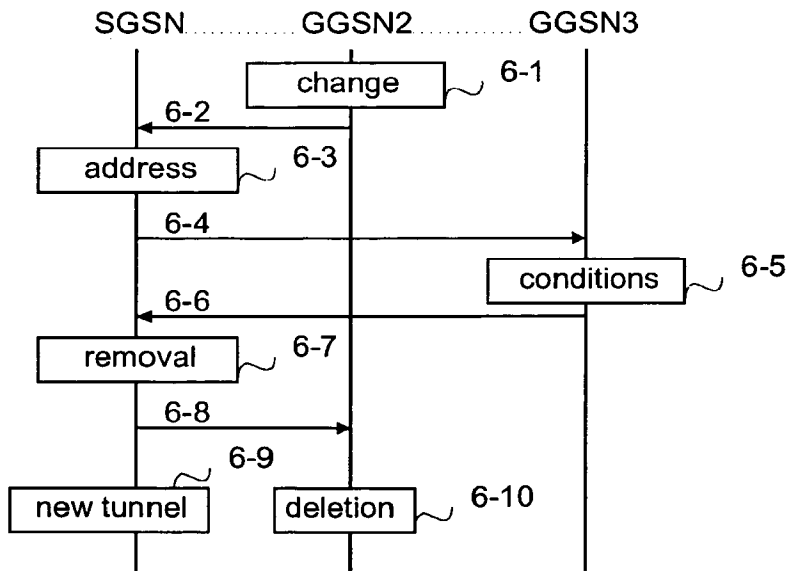


FIG.6